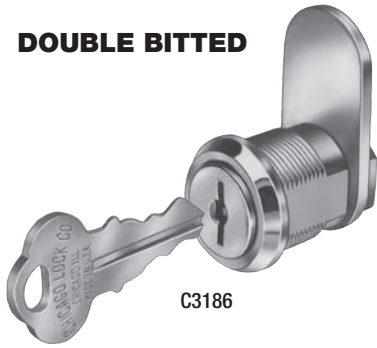


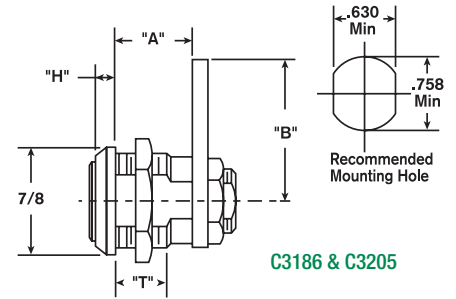
DOUBLE & SINGLE BITTED CAM LOCKS

DOUBLE BITTED



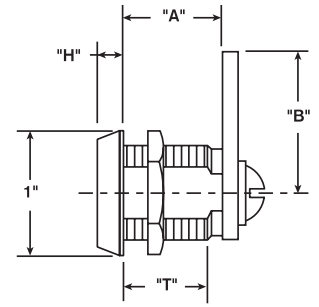
C3186

- Eleven criss-cross blade tumbler plug in $\frac{3}{4}$ " diameter.
- Die cast barrel with two flats — $\frac{5}{8}$ " across.
- Key and cam rotation 90° from locked (12 O'Clock) to unlocked (3 O'Clock) position with keypull in locked position only.
- Straight cam furnished is $\frac{1}{8}$ " thick X $\frac{3}{4}$ " wide.
- Polish Nickel finish.
- Two keys per lock.
- Not available MK.
- DK-45 key blank.



C3186 & C3205

| Lock No. | "A" Dim. | "B" Dim. | "H" Dim. | "T" Dim. | KA Codes | KD Changes | Box Quantity |
|--------------------------|-------------------|------------------|-------------------|--------------------|-----------|------------|--------------|
| C3205 | $\frac{7}{16}$ " | $1\frac{1}{8}$ " | $\frac{13}{64}$ " | $\frac{15}{64}$ " | 2001 2007 | 200 | 25 |
| C3186 | $\frac{5}{8}$ " | $1\frac{1}{8}$ " | $\frac{5}{32}$ " | $\frac{13}{32}$ " | 2001 2007 | 200 | 25 |
| C1801 | $\frac{13}{16}$ " | $1\frac{1}{8}$ " | $\frac{13}{64}$ " | $\frac{11}{16}$ " | 2001 | — | 25 |
| C1802 | $1\frac{1}{16}$ " | $1\frac{1}{8}$ " | $\frac{13}{64}$ " | $\frac{15}{16}$ " | 2001 2007 | — | 25 |
| 1803 DK-4 keyway only | $\frac{13}{16}$ " | $1\frac{1}{8}$ " | $\frac{13}{64}$ " | $\frac{17}{64}$ " | 2141 | 200 | each |
| C1804 | $1\frac{1}{2}$ " | $1\frac{1}{8}$ " | $\frac{13}{64}$ " | $1\frac{13}{32}$ " | 2001 | — | 25 |

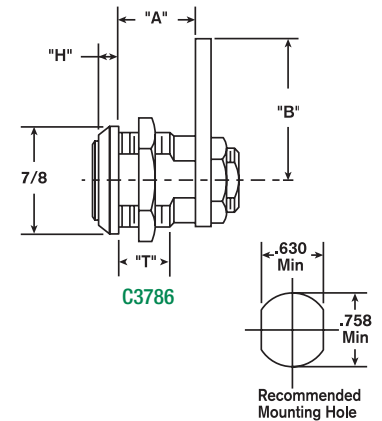


1800 SERIES

SINGLE BITTED



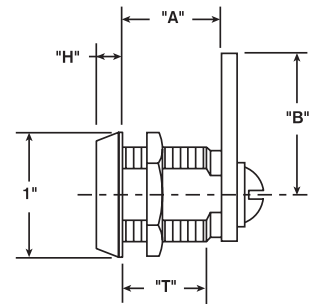
- Five disc tumbler plug in $\frac{3}{4}$ " diameter.
- Die cast barrel with two flats — $\frac{5}{8}$ " across.
- Key and cam rotation 90° from locked (12 O'Clock) to unlocked (3 O'Clock) position with keypull in locked position only.
- Straight cam furnished is $\frac{1}{8}$ " thick X $\frac{3}{4}$ " wide.
- Polish Nickel finish.
- Two keys per lock.
- Available in six disc tumbler.
- DK-5 key blank.



C3786

Recommended Mounting Hole

| Lock No. | "A" Dim. | "B" Dim. | "H" Dim. | "T" Dim. | KA Codes | KD Changes | Box Quantity |
|----------|-------------------|------------------|-------------------|--------------------|-----------|------------|--------------|
| 3705 | $\frac{7}{16}$ " | $1\frac{1}{8}$ " | $\frac{1}{4}$ " | $\frac{13}{64}$ " | 1289 1454 | 200 | each |
| C3786 | $\frac{5}{8}$ " | $1\frac{1}{8}$ " | $\frac{13}{64}$ " | $\frac{13}{32}$ " | 1289 1454 | 200 | 25 |
| C1701 | $\frac{13}{16}$ " | $1\frac{1}{8}$ " | $\frac{13}{64}$ " | $\frac{11}{16}$ " | 1289 1454 | 200 | 25 |
| C1702 | $1\frac{1}{16}$ " | $1\frac{1}{8}$ " | $\frac{13}{64}$ " | $\frac{15}{16}$ " | 1454 | 200 | 25 |
| C1703 | $\frac{13}{16}$ " | $1\frac{1}{8}$ " | $\frac{13}{64}$ " | $\frac{17}{64}$ " | 1289 1454 | 200 | 25 |
| C1704 | $1\frac{1}{2}$ " | $1\frac{1}{8}$ " | $\frac{13}{64}$ " | $1\frac{13}{32}$ " | 1289 1454 | 200 | 25 |



1700 SERIES